

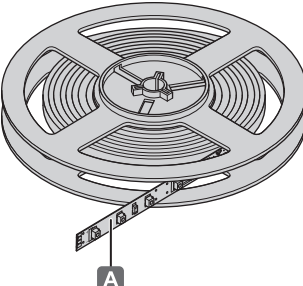


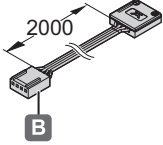

LED 2016 (2.5 A / 22 AWG)

12 V System	K	W	T_A			
833.73.450	RGB	7.1 W / m	-20 °C – +35 °C -4 °F – +95 °F	5000 x 12 x 2.4	≥ 22 x 22.4	Loox 12 V



A



B

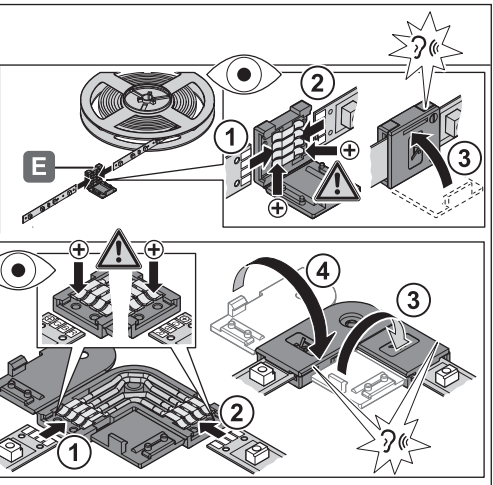
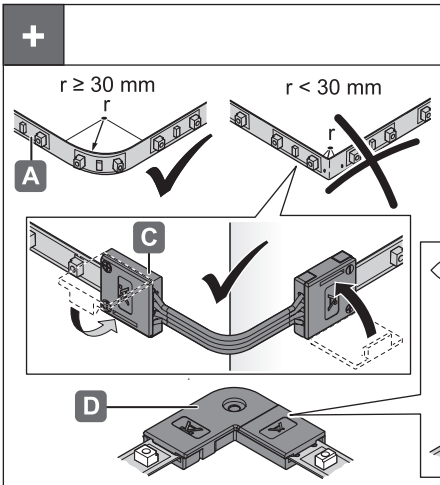
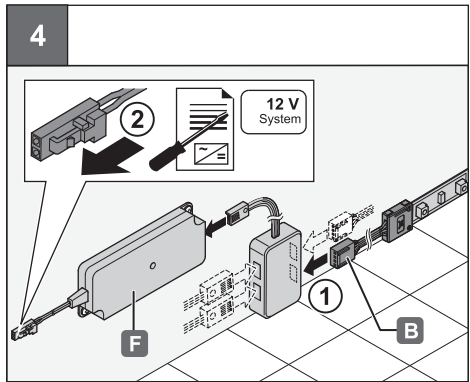
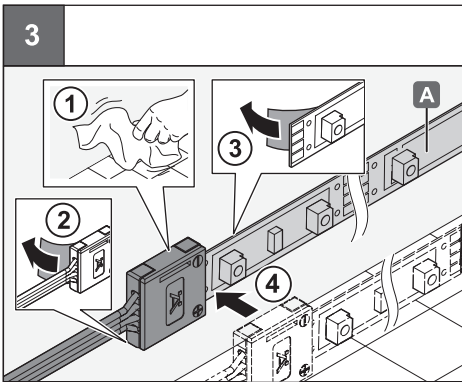
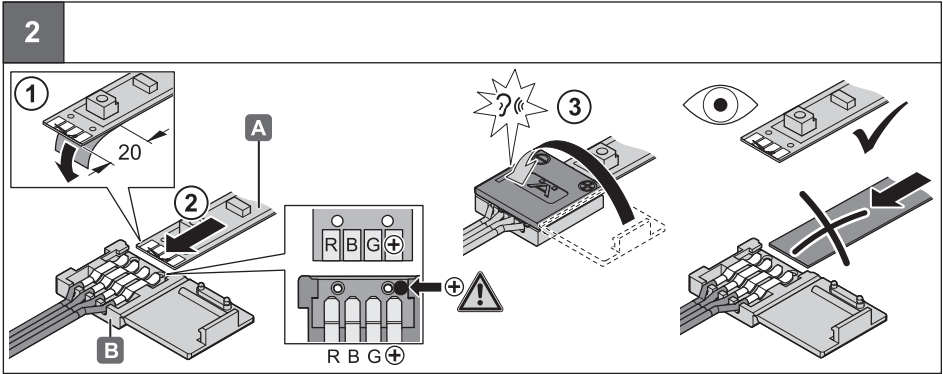
+		<table border="1"> <tr><th>X</th><td></td></tr> <tr><td>2000</td><td>833.74.764</td></tr> <tr><td>4000</td><td>833.74.745</td></tr> </table>	X		2000	833.74.764	4000	833.74.745				
X												
2000	833.74.764											
4000	833.74.745											
C		<table border="1"> <tr><th>X</th><td></td></tr> <tr><td>50</td><td>833.74.766</td></tr> <tr><td>500</td><td>833.74.767</td></tr> <tr><td>1000</td><td>833.74.779</td></tr> <tr><td>2000</td><td>833.74.768</td></tr> </table>	X		50	833.74.766	500	833.74.767	1000	833.74.779	2000	833.74.768
X												
50	833.74.766											
500	833.74.767											
1000	833.74.779											
2000	833.74.768											
D		833.74.760										
E		833.74.761										
F		833.74.802										
G		833.74.708										

7.32.28.323

i		
	100 - 240 V~	100 - 240 V~

1		i																					
A																							
	$X_1 + X_2 + \dots + X_n \leq X$																						
		<table border="1"> <thead> <tr> <th>LED 2016</th> <th>x_n [m]</th> <th>X [m]</th> </tr> </thead> <tbody> <tr><td>12 V / 6 W</td><td>0.600</td><td>0.600</td></tr> <tr><td>12 V / 15 W</td><td>1.600</td><td>1.600</td></tr> <tr><td>12 V / 20 W</td><td>2.400</td><td>2.400</td></tr> <tr><td>12 V / 27 W</td><td>2.800</td><td>2.800</td></tr> <tr><td>12 V / 40 W</td><td>3.400</td><td>3.400</td></tr> <tr><td>12 V / 60 W</td><td>3.400</td><td>3.400</td></tr> </tbody> </table>	LED 2016	x_n [m]	X [m]	12 V / 6 W	0.600	0.600	12 V / 15 W	1.600	1.600	12 V / 20 W	2.400	2.400	12 V / 27 W	2.800	2.800	12 V / 40 W	3.400	3.400	12 V / 60 W	3.400	3.400
LED 2016	x_n [m]	X [m]																					
12 V / 6 W	0.600	0.600																					
12 V / 15 W	1.600	1.600																					
12 V / 20 W	2.400	2.400																					
12 V / 27 W	2.800	2.800																					
12 V / 40 W	3.400	3.400																					
12 V / 60 W	3.400	3.400																					

HDE 08/2017



732.26.323

HDE 08/2017